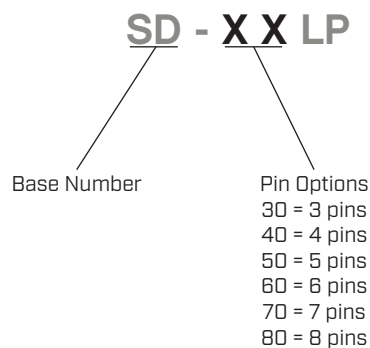


SERIES: SD-LP | **DESCRIPTION:** STANDARD DIN CONNECTOR

FEATURES

- locking
- metal bushing
- strain relief


PART NUMBER KEY

SPECIFICATIONS

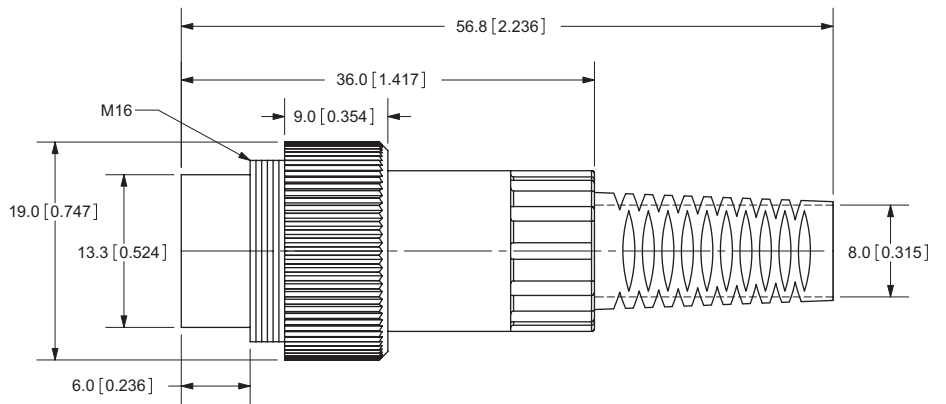
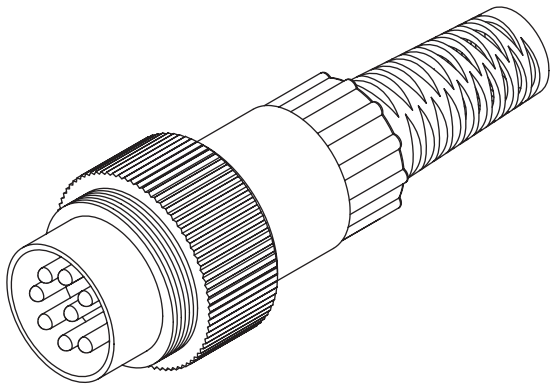
| parameter | conditions/description | min | typ | max | units |
|-----------------------|-------------------------|-----|-----|------|-------|
| rated input voltage | | | 100 | | Vac |
| rated input current | | | | 2 | A |
| contact resistance | | | | 20 | mΩ |
| insulation resistance | at 500 Vdc | 100 | | | MΩ |
| voltage withstand | at 50/60Hz for 1 minute | | | 1000 | Vac |
| operating temperature | | -40 | | 85 | °C |
| RoHS | yes | | | | |

MECHANICAL DRAWINGS

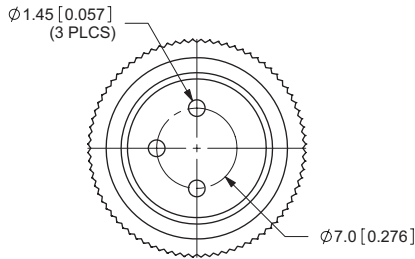
units: mm[inches]

TOLERANCE: ±0.2mm

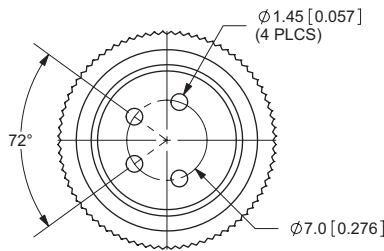
| | MATERIAL | PLATING |
|-------------------|-------------------|---------|
| contact terminals | brass | silver |
| clip plate | cold rolled steel | nickel |
| body/nut | zinc alloy | nickel |
| screw | steel | nickel |
| body | zinc alloy | nickel |
| strain relief | PVC | |
| plastic core | nylon | |



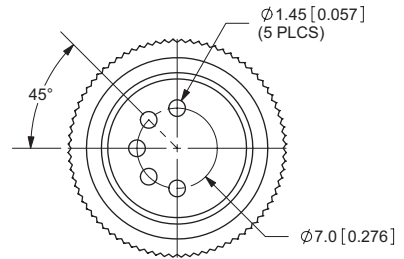
SD-30LP



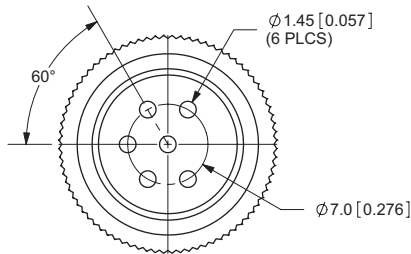
SD-40LP



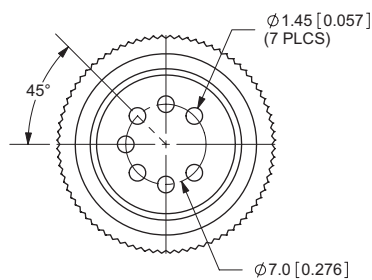
SD-50LP



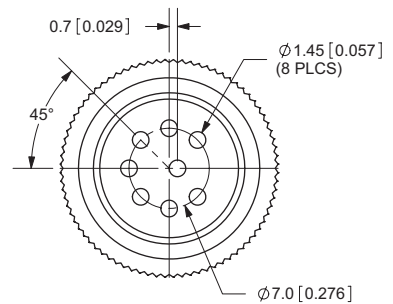
SD-60LP



SD-70LP



SD-80LP



REVISION HISTORY

| rev. | description | date |
|------|------------------------------|------------|
| 1.0 | initial release | 02/23/2006 |
| 1.01 | new template applied | 02/07/2012 |
| 1.02 | updated datasheet | 11/24/2015 |
| 1.03 | updated datasheet | 08/25/2017 |
| 1.04 | brand update | 02/19/2020 |
| 1.05 | logo, datasheet style update | 08/05/2022 |

The revision history provided is for informational purposes only and is believed to be accurate.



CUI Devices offers a one (1) year limited warranty. Complete warranty information is listed on our website.

CUI Devices reserves the right to make changes to the product at any time without notice. Information provided by CUI Devices is believed to be accurate and reliable. However, no responsibility is assumed by CUI Devices for its use, nor for any infringements of patents or other rights of third parties which may result from its use.

CUI Devices products are not authorized or warranted for use as critical components in equipment that requires an extremely high level of reliability. A critical component is any component of a life support device or system whose failure to perform can be reasonably expected to cause the failure of the life support device or system, or to affect its safety or effectiveness.

cuidevices.com