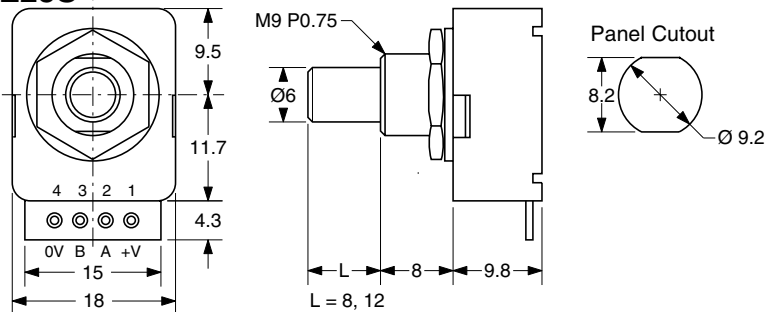
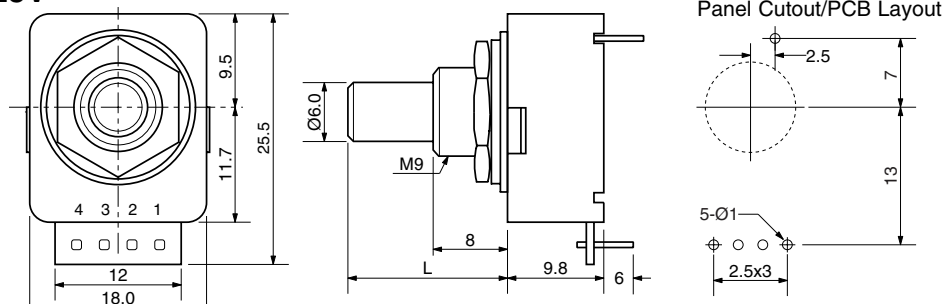


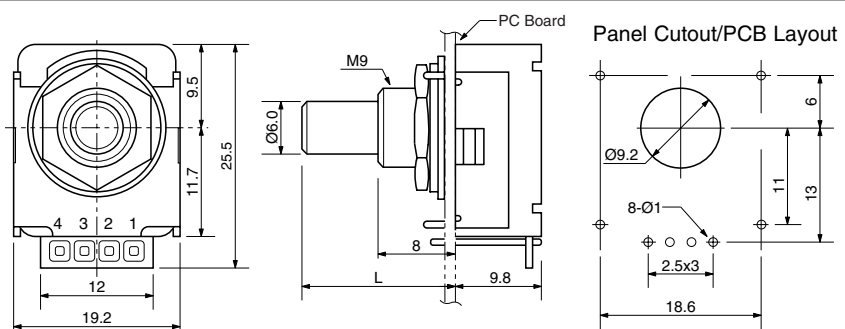
RE25S



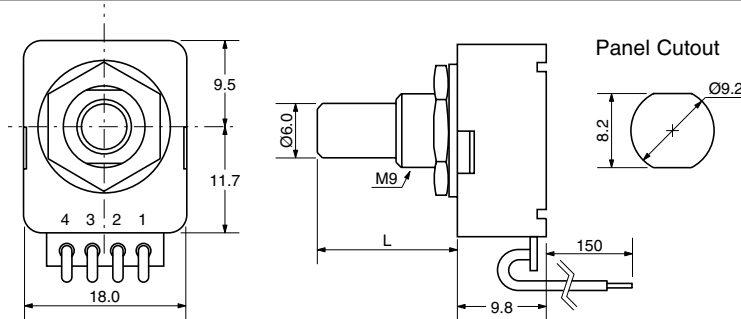
RE25V



RE25F



RE25C



SPECIFICATIONS

ELECTRICAL

- Input Power: 5.0 VDC $\pm 10\%$ @ 10mA
3.3 VDC $\pm 10\%$ @ 10mA
- Output Voltage: H = Vcc - 0.4V
L 0.4V
- Resolution: 16, 25 PPR
- Output Type: TTL/CMOS Compatible
- Max. Freq. Response: 500 Hz

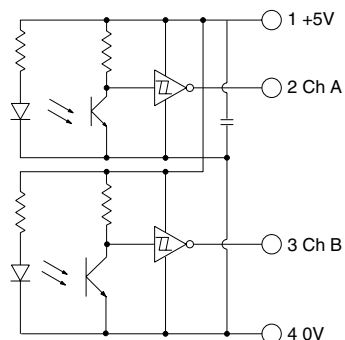
MECHANICAL

- Max Shaft Load, radial: 1.0 kgf
axial: 1.0 kgf
- Rotational Angle: 360° continuous
- Click Torque: 100 gf cm max.
- Rotational Life: 2.5 x 10⁶ cycles

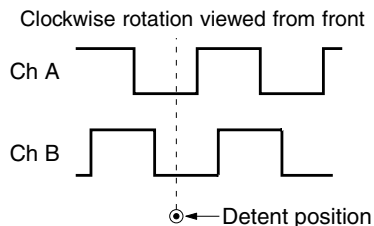
ENVIRONMENTAL

- Operating Temp: 0° to +60° C
- Storage Temp: -20° to +80° C
- Humidity: 85% RH, no condensation
- Vibration: 10~55 Hz, 1.5 mm, 2 hrs
- Shock: 50G, 6ms, 3 axes, 3 reps

OUTPUT CIRCUIT

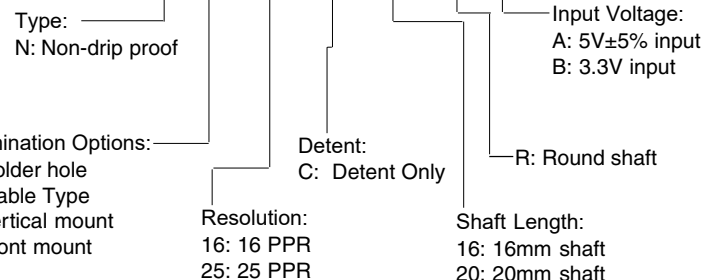


OUTPUT WAVEFORM



ORDERING INSTRUCTIONS

RE25X X XX C XX R X



CUI Devices
6405 SW Rosewood St, Suite C
Lake Oswego, OR 97035
www.cuidevices.com

DRAWN BY JRH	UPDATED 09/03/20	CHECKED 09/03/20	UNIT MM
PART NO. RE25XXXXCXXX			REV. A