

MODEL: SJ3-350103A | **DESCRIPTION:** AUDIO JACK

FEATURES

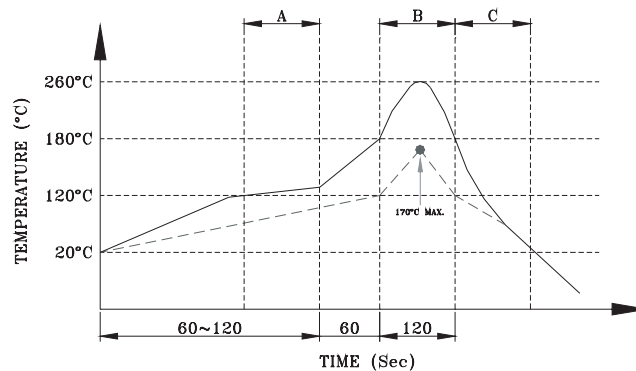
- 3.5 mm audio jack
- through hole
- tray packaging


SPECIFICATIONS

| parameter | conditions/description | min | typ | max | units |
|----------------------------|------------------------|-----|-------|-----|--------|
| rated input voltage | | | 12 | | Vdc |
| rated input current | | | | 1 | A |
| contact resistance | | | | 30 | mΩ |
| insulation resistance | at 500 Vdc | 100 | | | MΩ |
| voltage withstand | for 1 minute | | | 500 | Vac |
| insertion/withdrawal force | | 0.3 | | 3 | kg |
| operating temperature | | -25 | | 85 | °C |
| life | | | 5,000 | | cycles |
| flammability rating | UL94V-0 | | | | |
| RoHS | yes | | | | |

SOLDERABILITY

| parameter | conditions/description | min | typ | max | units |
|----------------|------------------------|-----|-----|-----|-------|
| wave soldering | for max 5 seconds | 255 | 260 | 265 | °C |

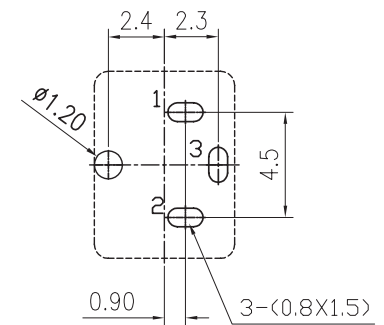
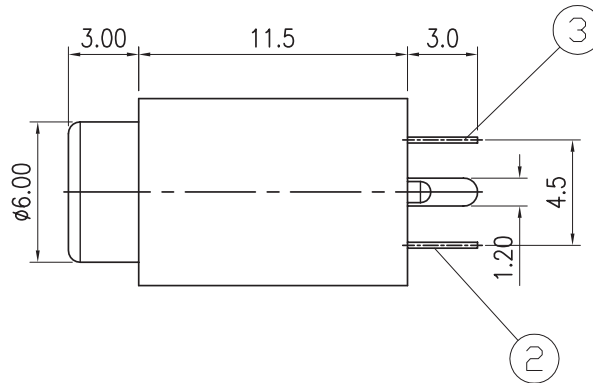
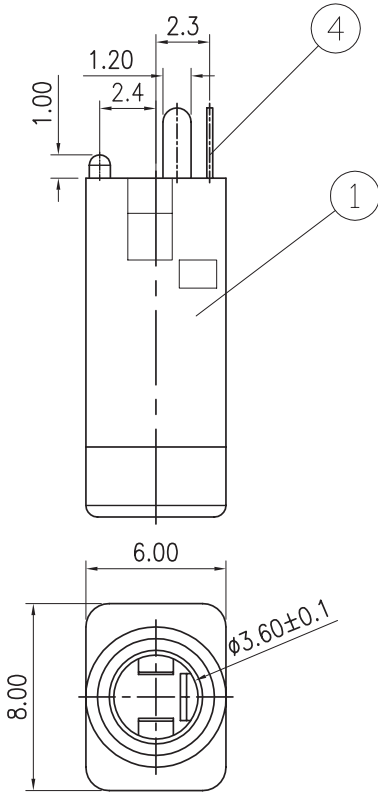


- A. Preheating
 B. Soldering
 C. Cooling
- Pin Temperature
 - - - Component Temperature

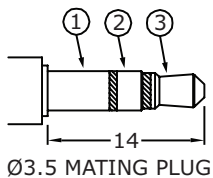
MECHANICAL DRAWING

units: mm
 tolerance:
 X.X ±0.30 mm
 X.XX ±0.25 mm
 X.XXX ±0.20 mm
 PCB: ±0.05 mm
 unless otherwise specified

| ITEM | DESCRIPTION | MATERIAL | PLATING/COLOR |
|------|-------------|-----------------|--------------------|
| 1 | housing | PBT [UL94V-0] | black |
| 2 | terminal 1 | phosphor bronze | silver over nickel |
| 3 | terminal 2 | phosphor bronze | silver over nickel |
| 4 | terminal 3 | phosphor bronze | silver over nickel |



Recommended PCB Layout
Top View



| | |
|-----------|-------------|
| Model No. | SJ3-350103A |
| Schematic | |
| PIN | |
| 1 | sleeve |
| 2 | ring |
| 3 | tip |

REVISION HISTORY

| rev. | description | date |
|------|-----------------|------------|
| 1.0 | initial release | 06/12/2024 |

The revision history provided is for informational purposes only and is believed to be accurate.



CUI Devices offers a one (1) year limited warranty. Complete warranty information is listed on our website.

CUI Devices reserves the right to make changes to the product at any time without notice. Information provided by CUI Devices is believed to be accurate and reliable. However, no responsibility is assumed by CUI Devices for its use, nor for any infringements of patents or other rights of third parties which may result from its use.

CUI Devices products are not authorized or warranted for use as critical components in equipment that requires an extremely high level of reliability. A critical component is any component of a life support device or system whose failure to perform can be reasonably expected to cause the failure of the life support device or system, or to affect its safety or effectiveness.

cuidevices.com