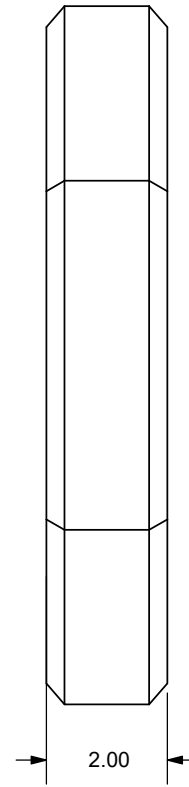
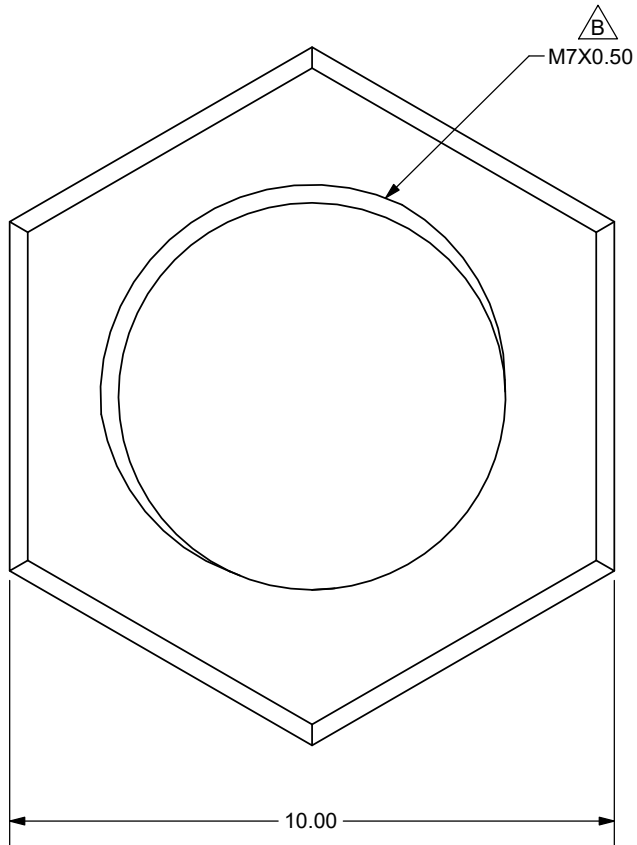


REV.	DESCRIPTION	DATE
A	INITIAL RELEASE	10/15/2014
B	PRODUCT REENGINEERED FOR IMPROVED MANUFACTURABILITY AND PRODUCT YIELD, SEE PCN FOR DETAILS	07/25/2023



TOLERANCE:
±0.2 MM
UNLESS OTHERWISE
SPECIFIED




CUI DEVICES
 6405 SW Rosewood St, Suite C
 Lake Oswego, OR 97035
 Phone: 877-323-3576
 Website: www.cuidevices.com

TITLE: M7X0.50 NUT		REV: B
PART NO. SJ1-43502PM-NUT	UNITS: MM	
MATERIAL: Brass	PLATING: Nickel	DRAWN BY: RDS
APPROVED BY:		SCALE: 8:1

PC FILE NAME:
SJ1-43502PM-NUT

COPYRIGHT 2023 BY CUI DEVICES