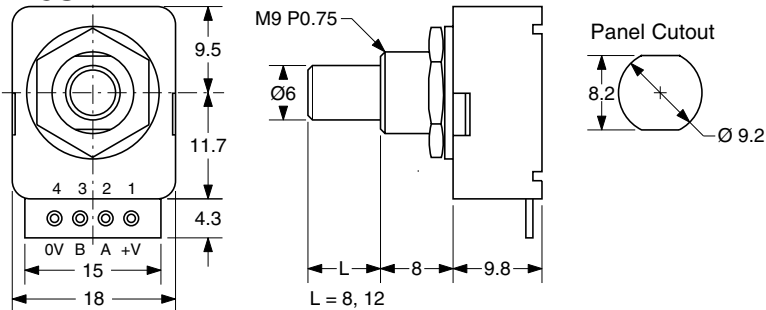
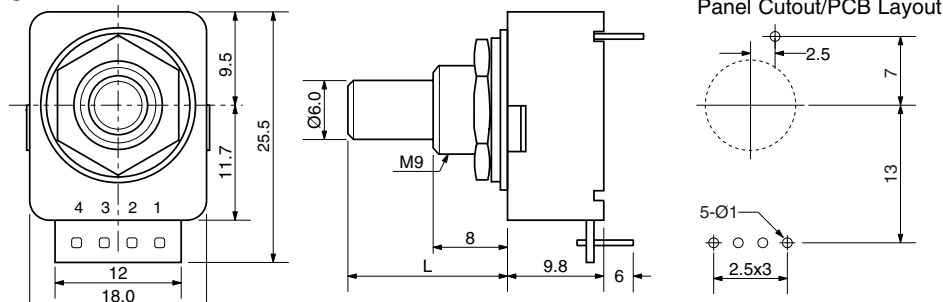


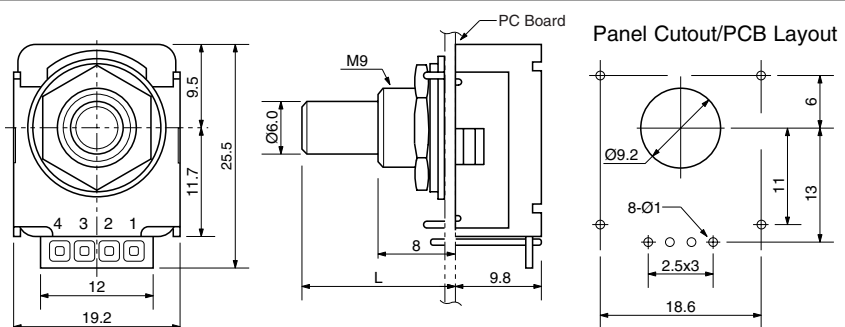
### RE25S



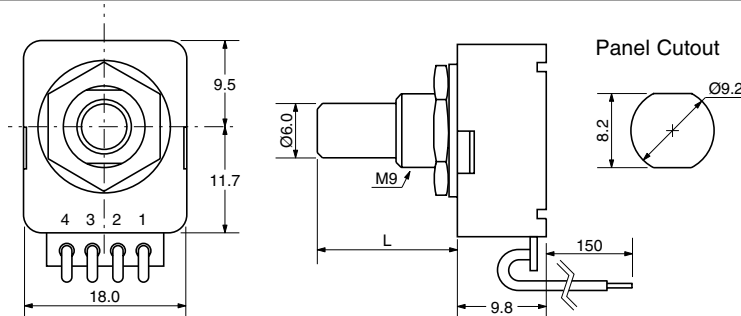
### RE25V



### RE25F



### RE25C



### SPECIFICATIONS

#### ELECTRICAL

- Input Power: 5.0 VDC  $\pm 10\%$  @ 10mA  
3.3 VDC  $\pm 10\%$  @ 10mA
- Output Voltage: H = Vcc - 0.4V  
L 0.4V
- Resolution: 16, 25 PPR
- Output Type: TTL/CMOS Compatible
- Max. Freq. Response: 500 Hz

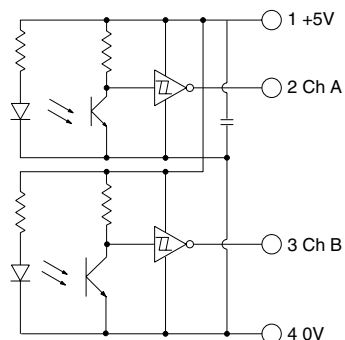
#### MECHANICAL

- Max Shaft Load, radial: 1.0 kgf  
axial: 1.0 kgf
- Rotational Angle: 360° continuous
- Click Torque: 100 gf cm max.
- Rotational Life: 2.5 x 10<sup>6</sup> cycles

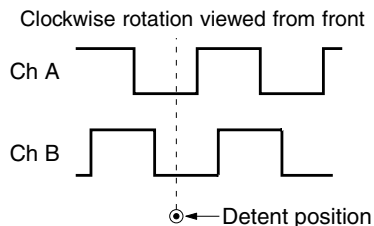
#### ENVIRONMENTAL

- Operating Temp: 0° to +60° C
- Storage Temp: -20° to +80° C
- Humidity: 85% RH, no condensation
- Vibration: 10~55 Hz, 1.5 mm, 2 hrs
- Shock: 50G, 6ms, 3 axes, 3 reps

### OUTPUT CIRCUIT

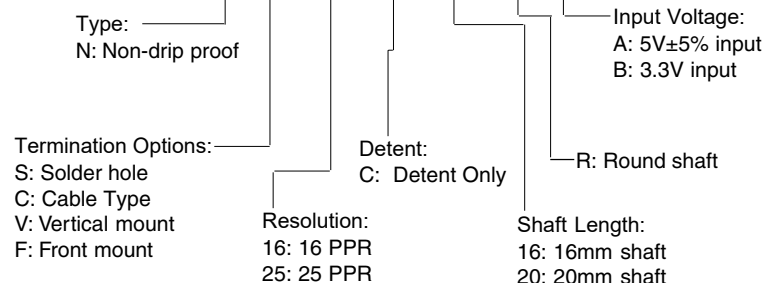


### OUTPUT WAVEFORM



### ORDERING INSTRUCTIONS

## RE25X XX C XX R X



CUI Devices 6405 SW Rosewood St, Suite C Lake Oswego, OR 97035 www.cuidevices.com			
DRAWN BY JRH	UPDATED 09/03/20	CHECKED 09/03/20	UNIT MM
PART NO. <b>RE25XXXXCXXX</b>			REV. <b>A</b>