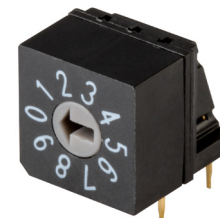


**SERIES:** RDS5-1011-RA-67 | **DESCRIPTION:** ROTARY DIP SWITCH

**FEATURES**

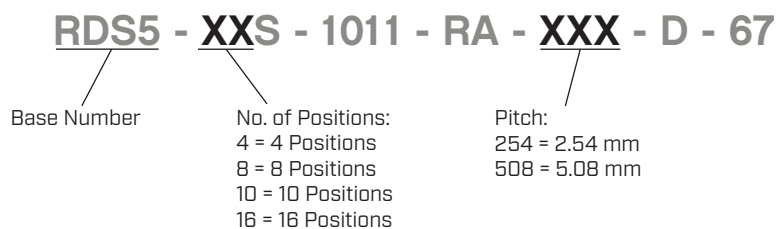
- 4, 8, 10, 16 positions
- right angle
- IP67


**SPECIFICATIONS**

parameter	conditions/description	min	typ	max	units
rated voltage	switching			42	Vdc
	non-switching			42	Vdc
rated current	switching			150	mA
	non-switching			200	mA
withstanding voltage	for 1 minute		250		Vac
contact resistance				80	mΩ
insulation resistance	for 1 minute at 250 Vdc	100			MΩ
operating torque				700	gf*cm
actuator travel	continuous rotation		360		degrees
operating temperature		-40		85	°C
storage temperature		-40		85	°C
life	at 42 Vdc, 150 mA, 15~20 cycles/minute		10,000		steps
flammability rating	see material tables				
RoHS	yes				
IP level	IP67				

**SOLDERABILITY**

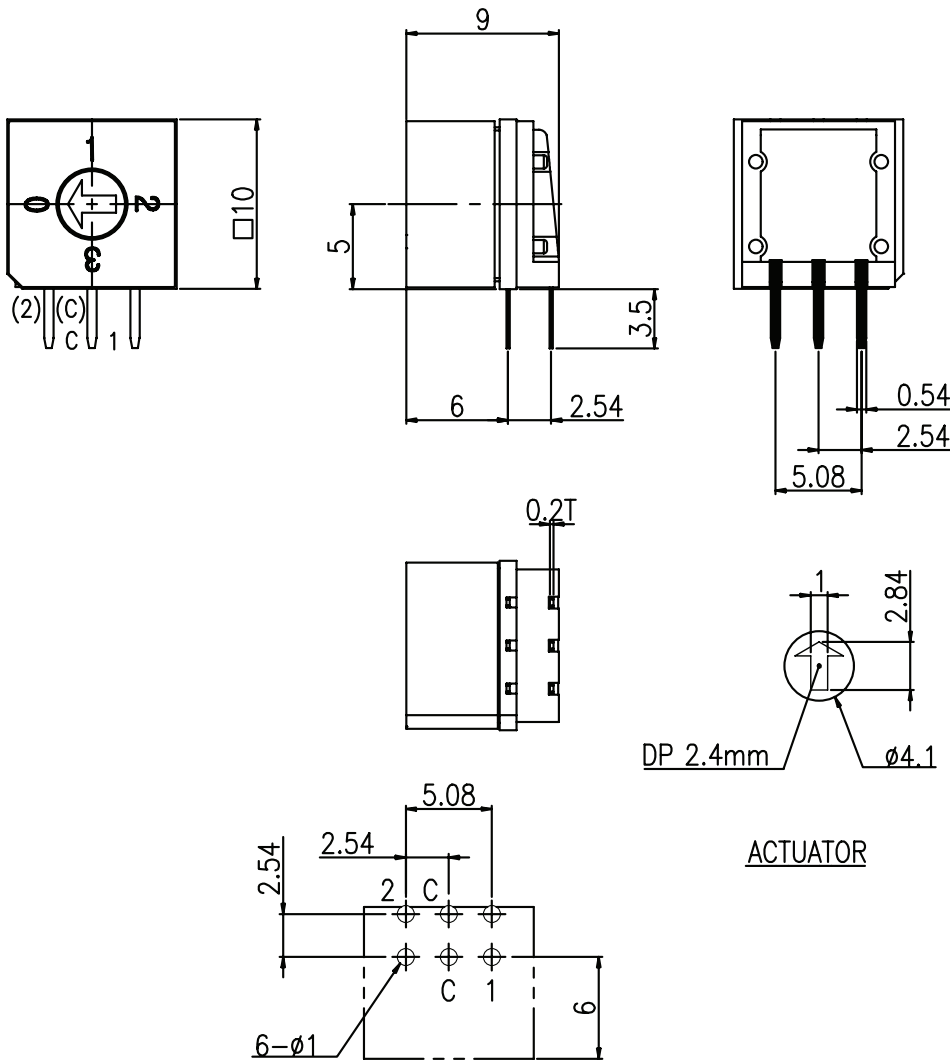
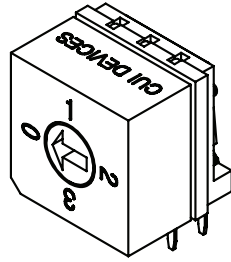
parameter	conditions/description	min	typ	max	units
hand soldering	for maximum 3 seconds			350	°C
wave soldering	for maximum 5 seconds			260	°C

**PART NUMBER KEY**


## MECHANICAL DRAWING (4 POSITION, 2.54 MM PITCH)

units: mm  
 tolerance: ±0.3 mm  
 unless otherwise specified

DESCRIPTION	MATERIAL	PLATING/COLOR
actuator	POM (UL94HB)	gray
cover	PA66 (UL94V-0)	black
base	PA66 (UL94V-0)	black
terminals	phosphorus bronze	Ni/Au



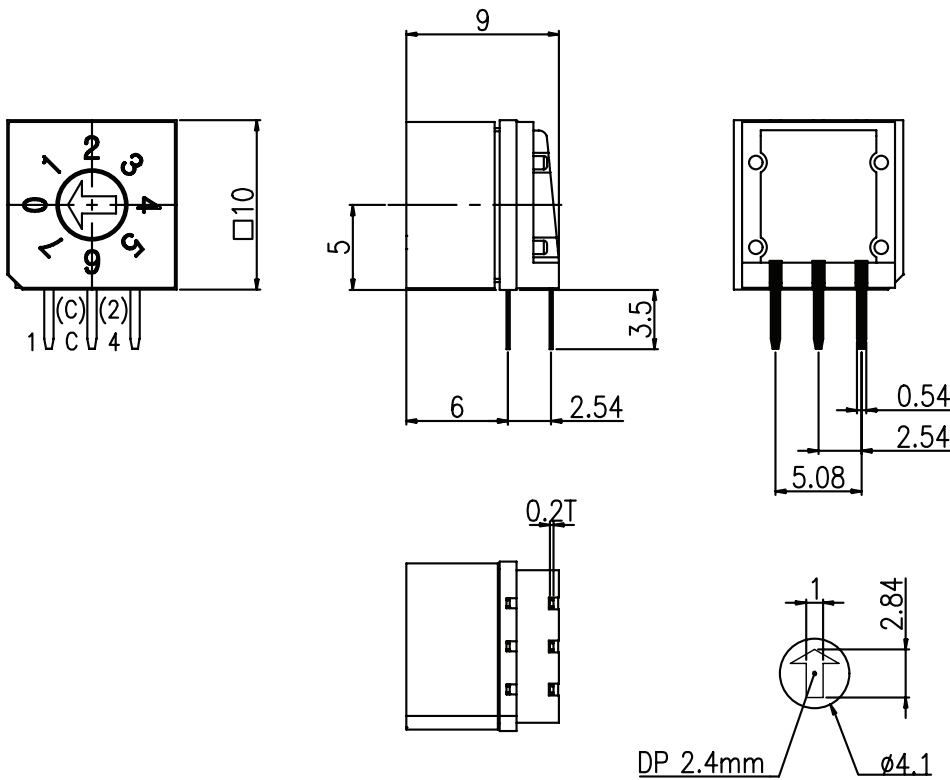
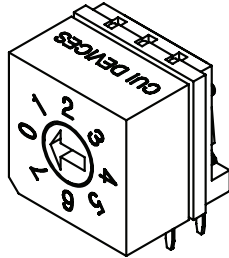
ON ●				
OFF ○	CODE			
TYPE	POS	C	1	2
4 POSITION	0	●	○	○
	1	●	●	○
	2	●	○	●
	3	●	●	●

Recommended PCB Layout  
 Top View

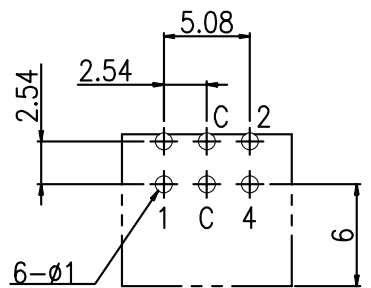
## MECHANICAL DRAWING (8 POSITION, 2.54 MM PITCH)

units: mm  
 tolerance: ±0.3 mm  
 unless otherwise specified

DESCRIPTION	MATERIAL	PLATING/COLOR
actuator	POM (UL94HB)	gray
cover	PA66 (UL94V-0)	black
base	PA66 (UL94V-0)	black
terminals	phosphorus bronze	Ni/Au



TYPE	POS	CODE			
		C	1	2	4
8 POSITION	0	●	○	○	○
	1	●	●	○	○
	2	●	○	●	○
	3	●	●	●	○
	4	●	○	○	●
	5	●	●	○	●
	6	●	○	●	●
	7	●	●	●	●

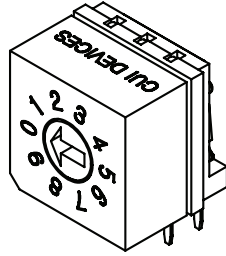


Recommended PCB Layout  
 Top View

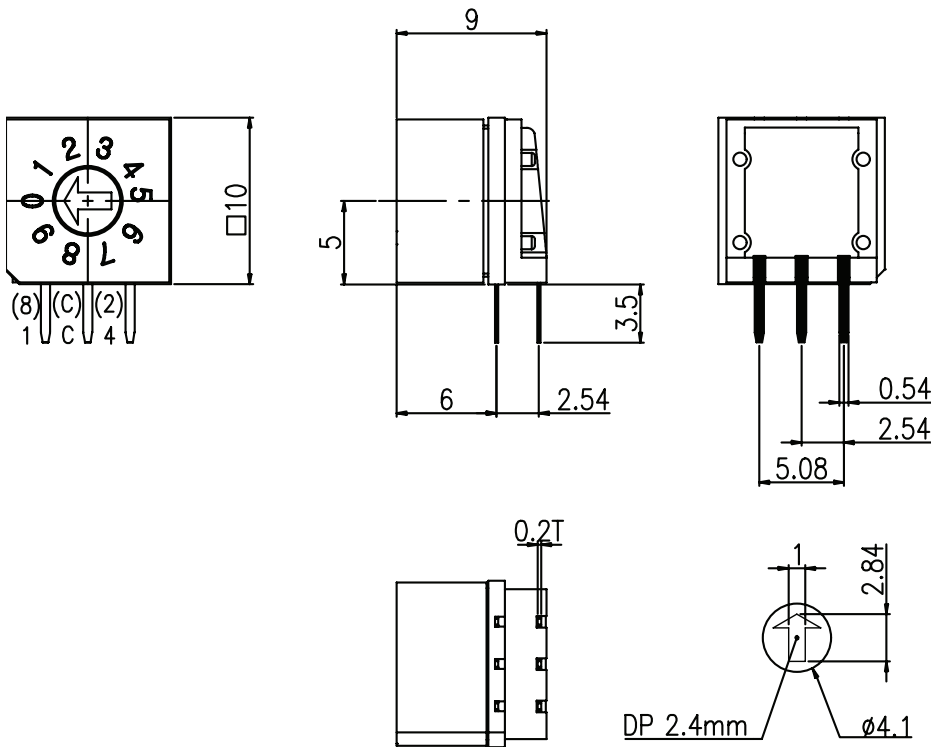
ACTUATOR

## MECHANICAL DRAWING (10 POSITION, 2.54 MM PITCH)

units: mm  
 tolerance: ±0.3 mm  
 unless otherwise specified

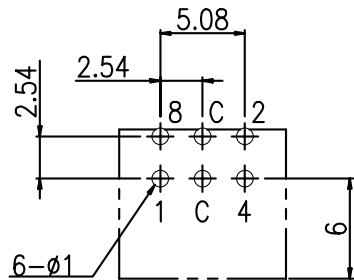


DESCRIPTION	MATERIAL	PLATING/COLOR
actuator	POM (UL94HB)	gray
cover	PA66 (UL94V-0)	black
base	PA66 (UL94V-0)	black
terminals	phosphorus bronze	Ni/Au



TYPE	POS	CODE				
		C	1	2	4	8
10 POSITION	0	●	○	○	○	○
	1	●	●	○	○	○
	2	●	○	●	○	○
	3	●	●	●	○	○
	4	●	○	○	●	○
	5	●	●	○	●	○
	6	●	○	●	●	○
	7	●	●	●	●	○
	8	●	○	○	○	●
	9	●	●	○	○	●

### ACTUATOR

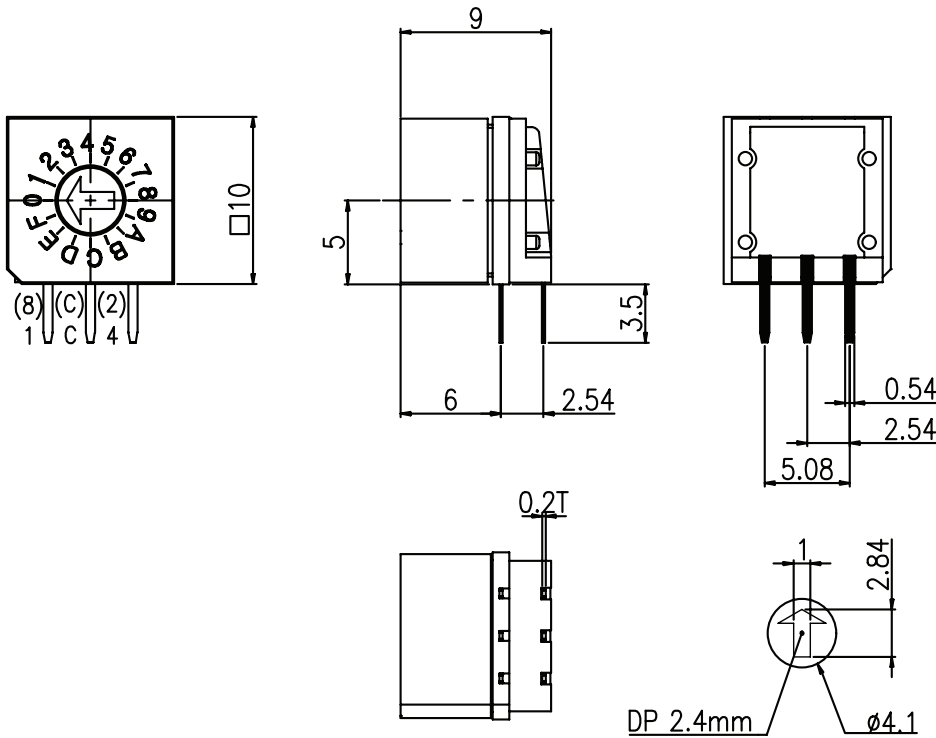
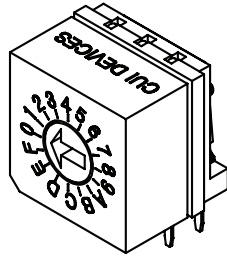


Recommended PCB Layout  
 Top View

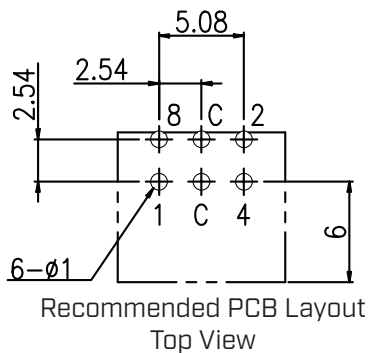
## MECHANICAL DRAWING (16 POSITION, 2.54 MM PITCH)

units: mm  
 tolerance: ±0.3 mm  
 unless otherwise specified

DESCRIPTION	MATERIAL	PLATING/COLOR
actuator	POM (UL94HB)	gray
cover	PA66 (UL94V-0)	black
base	PA66 (UL94V-0)	black
terminals	phosphorus bronze	Ni/Au



TYPE	POS	CODE				
		C	1	2	4	8
16 POSITION	0	●	○	○	○	○
	1	●	●	○	○	○
	2	●	○	●	○	○
	3	●	●	●	○	○
	4	●	○	○	●	○
	5	●	●	○	●	○
	6	●	○	●	●	○
	7	●	●	●	●	○
	8	●	○	○	○	●
	9	●	●	○	○	●
	A	●	○	●	○	●
	B	●	●	●	○	●
	C	●	○	○	●	●
	D	●	●	○	●	●
	E	●	○	●	●	●
	F	●	●	●	●	●

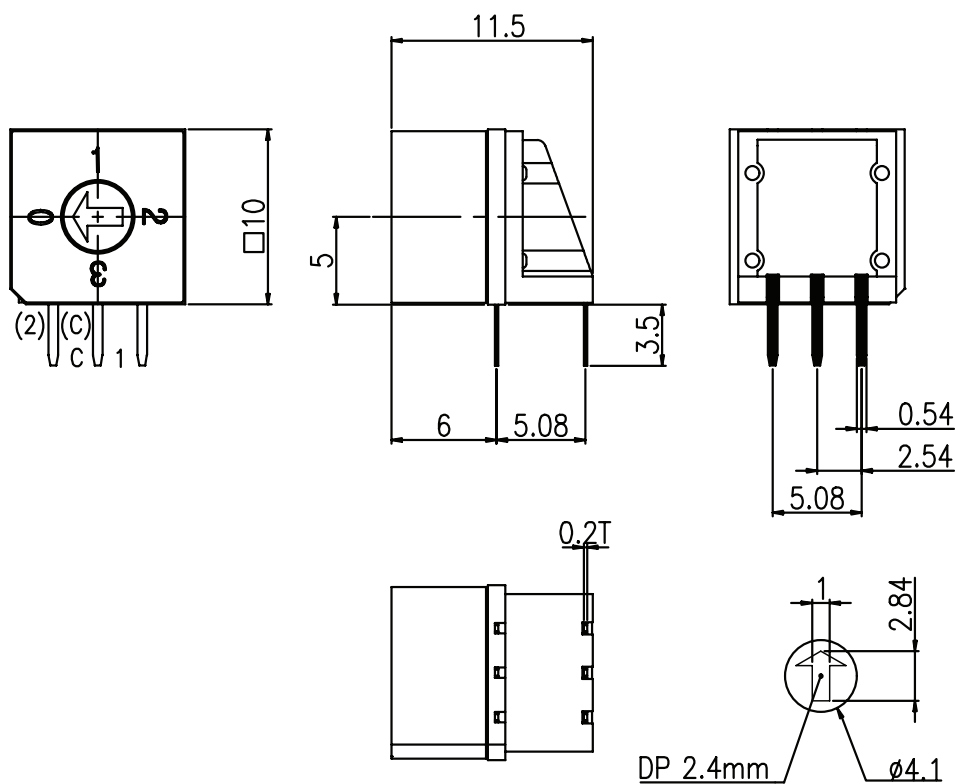
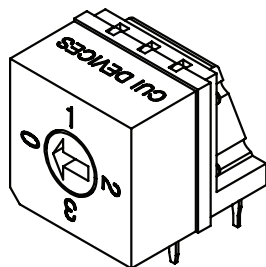


ACTUATOR

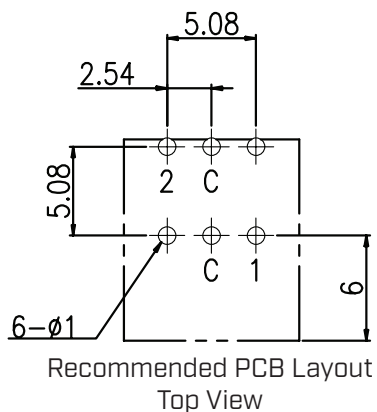
## MECHANICAL DRAWING (4 POSITION, 5.08 MM PITCH)

units: mm  
 tolerance: ±0.3 mm  
 unless otherwise specified

DESCRIPTION	MATERIAL	PLATING/COLOR
actuator	POM (UL94HB)	gray
cover	PA66 (UL94V-0)	black
base	PA66 (UL94V-0)	black
terminals	phosphorus bronze	Ni/Au



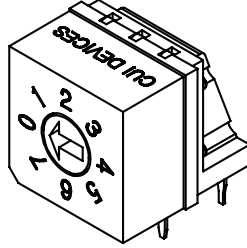
ON ●	CODE			
	POS	C	1	2
OFF ○				
4 POSITION	0	●	○	○
	1	●	●	○
	2	●	○	●
	3	●	●	●



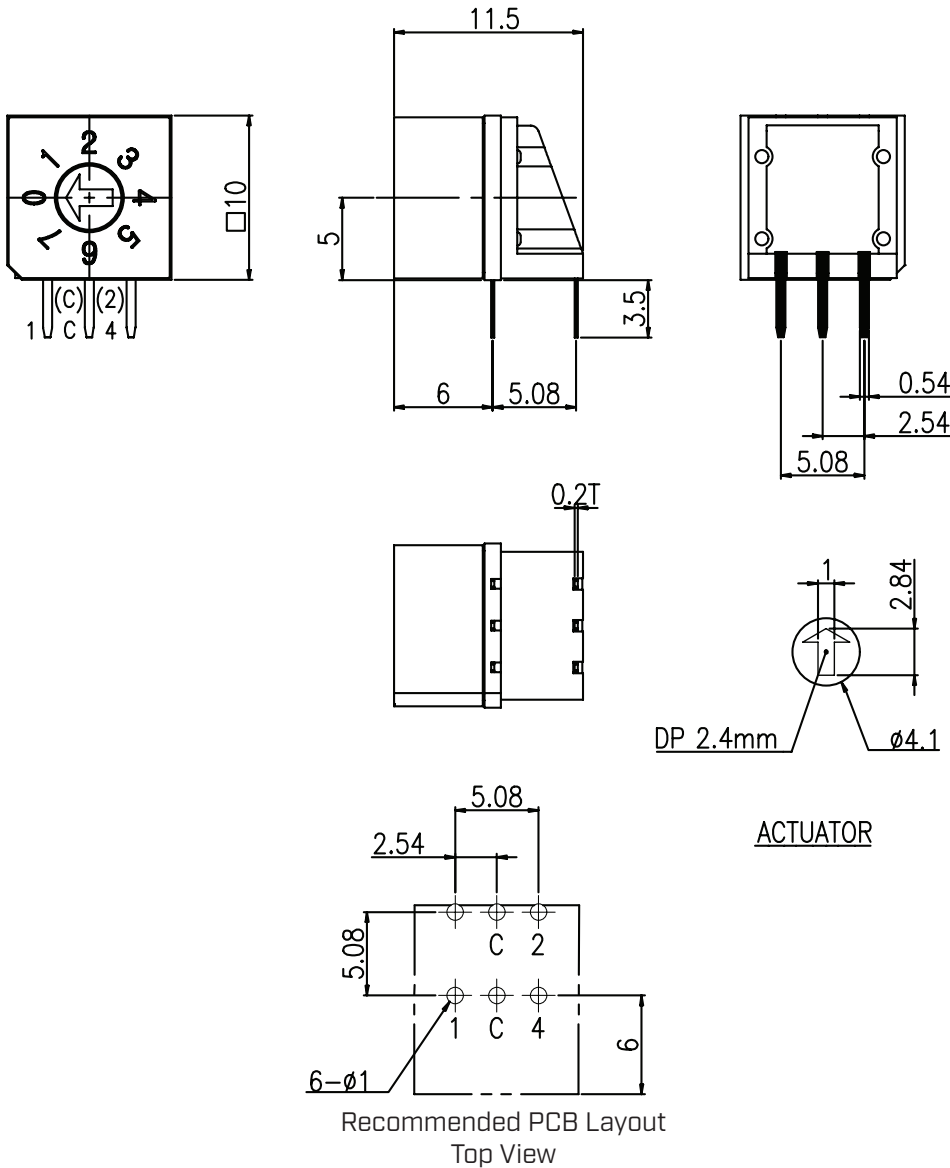
ACTUATOR

## MECHANICAL DRAWING (8 POSITION, 5.08 MM PITCH)

units: mm  
 tolerance: ±0.3 mm  
 unless otherwise specified



DESCRIPTION	MATERIAL	PLATING/COLOR
actuator	POM (UL94HB)	gray
cover	PA66 (UL94V-0)	black
base	PA66 (UL94V-0)	black
terminals	phosphorus bronze	Ni/Au

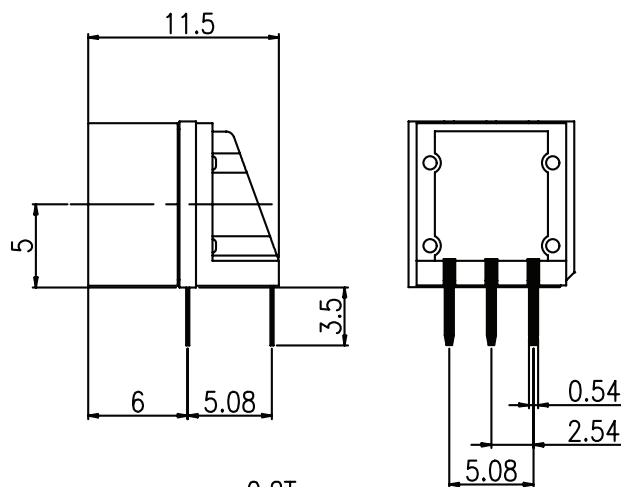
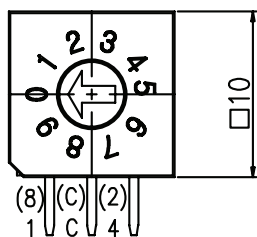
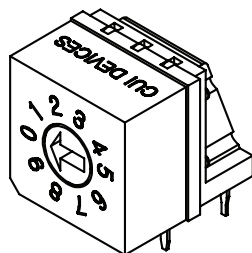


TYPE	POS	CODE			
		C	1	2	4
8 POSITION	0	●	○	○	○
	1	●	●	○	○
	2	●	○	●	○
	3	●	●	●	○
	4	●	○	○	●
	5	●	●	○	●
	6	●	○	●	●
	7	●	●	●	●

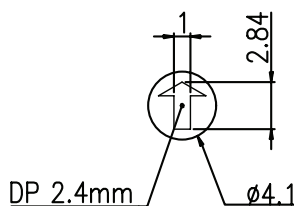
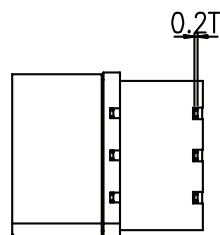
## MECHANICAL DRAWING (10 POSITION, 5.08 MM PITCH)

units: mm  
 tolerance: ±0.3 mm  
 unless otherwise specified

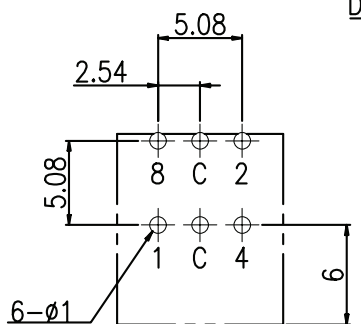
DESCRIPTION	MATERIAL	PLATING/COLOR
actuator	POM (UL94HB)	gray
cover	PA66 (UL94V-0)	black
base	PA66 (UL94V-0)	black
terminals	phosphorus bronze	Ni/Au



TYPE	POS	CODE				
		C	1	2	4	8
10 POSITION	0	●	○	○	○	○
	1	●	●	○	○	○
	2	●	○	●	○	○
	3	●	●	●	○	○
	4	●	○	○	●	○
	5	●	●	○	●	○
	6	●	○	●	●	○
	7	●	●	●	●	○
	8	●	○	○	○	●
	9	●	●	○	○	●



ACTUATOR



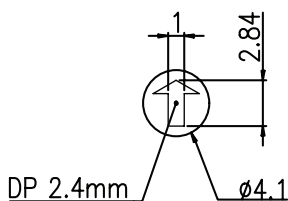
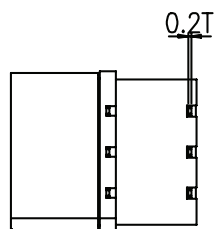
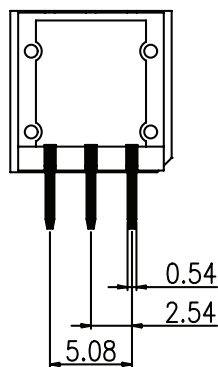
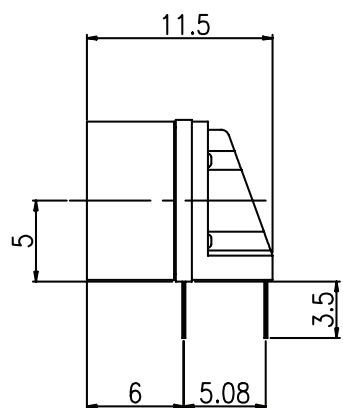
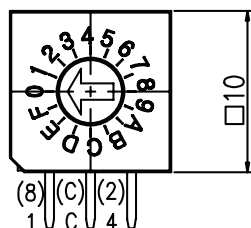
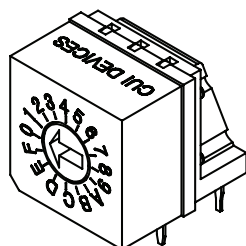
Recommended PCB Layout  
 Top View



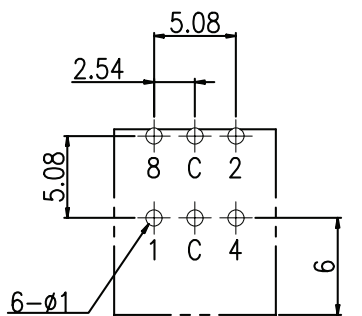
## MECHANICAL DRAWING (16 POSITION, 5.08 MM PITCH)

units: mm  
 tolerance: ±0.3 mm  
 unless otherwise specified

DESCRIPTION	MATERIAL	PLATING/COLOR
actuator	POM (UL94HB)	gray
cover	PA66 (UL94V-0)	black
base	PA66 (UL94V-0)	black
terminals	phosphorus bronze	Ni/Au



TYPE	POS	CODE				
		C	1	2	4	8
16 POSITION	0	●	○	○	○	○
	1	●	●	○	○	○
	2	●	○	●	○	○
	3	●	●	●	○	○
	4	●	○	○	●	○
	5	●	●	○	●	○
	6	●	○	●	●	○
	7	●	●	●	●	○
	8	●	○	○	○	●
	9	●	●	○	○	●
	A	●	○	●	○	●
	B	●	●	●	○	●
	C	●	○	○	●	●
	D	●	●	○	●	●
	E	●	○	●	●	●
	F	●	●	●	●	●



Recommended PCB Layout  
 Top View

ACTUATOR

## PACKAGING

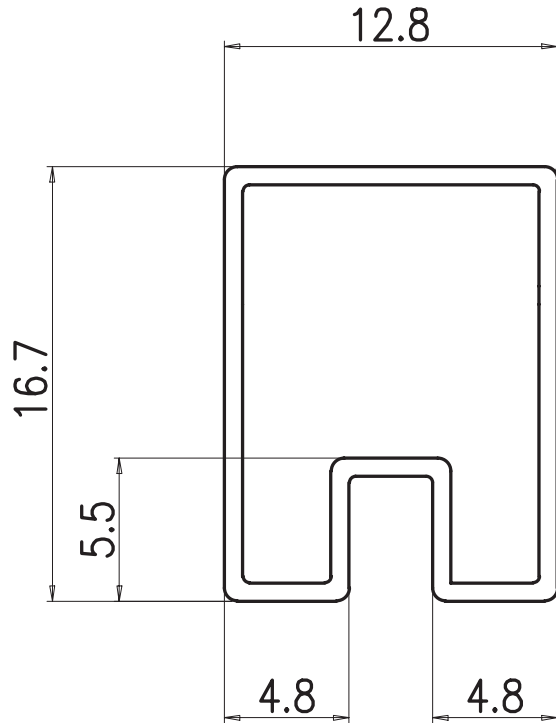
units: mm

Tube Size [2.54 mm pitch]: 16.7 x 12.8 x 540 mm

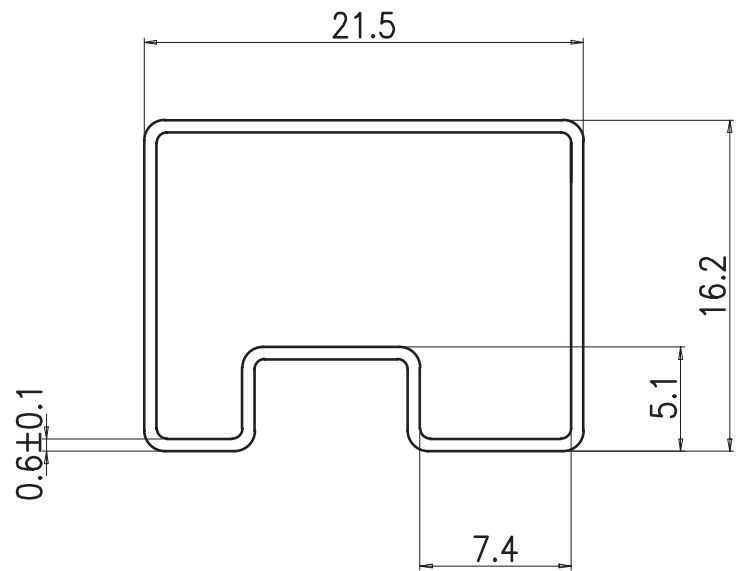
Tube Size [5.08 mm pitch]: 16.2 x 21.5 x 540 mm

Tube QTY: 50 pcs per tube

### 2.54 MM PITCH MODELS



### 5.08 MM PITCH MODELS



## REVISION HISTORY

rev.	description	date
1.0	initial release	05/31/2023

The revision history provided is for informational purposes only and is believed to be accurate.



CUI Devices offers a one (1) year limited warranty. Complete warranty information is listed on our website.

CUI Devices reserves the right to make changes to the product at any time without notice. Information provided by CUI Devices is believed to be accurate and reliable. However, no responsibility is assumed by CUI Devices for its use, nor for any infringements of patents or other rights of third parties which may result from its use.

CUI Devices products are not authorized or warranted for use as critical components in equipment that requires an extremely high level of reliability. A critical component is any component of a life support device or system whose failure to perform can be reasonably expected to cause the failure of the life support device or system, or to affect its safety or effectiveness.

[cuidevices.com](http://cuidevices.com)