

SERIES: CDM1221 | **DESCRIPTION:** M12 CONNECTOR**FEATURES**

- M12 male connector
- A code
- panel mount
- IP67

**SPECIFICATIONS**

| parameter | conditions/description | min | typ | max | units |
|----------------------------|---|-----|-------|-----|--------|
| rated voltage | 3 & 4 pole models | | | 250 | V |
| | 5 pole model | | | 60 | V |
| | 8 & 12 pole models | | | 30 | V |
| rated current | 3, 4, & 5 pole models | | | 4 | A |
| | 8 pole model | | | 2 | A |
| | 12 pole model | | | 1.5 | A |
| withstanding voltage | for 1 minute | | 1,500 | | Vac |
| contact resistance | | | | 10 | mΩ |
| insulation resistance | at 500 Vdc for 1 minute | 100 | | | MΩ |
| insertion/withdrawal force | | 0.3 | | 3.0 | kgf |
| operating temperature | | -25 | | 80 | °C |
| life | | 100 | | | cycles |
| safety approvals | compliant with IEC61076-2-101 | | | | |
| flammability rating | see material table | | | | |
| RoHS | yes | | | | |
| IP level | IP67 (in mated condition) | | | | |
| packaging | box QTY: 25 pcs carton size: 275 x 235 x 335 mm carton QTY: 600 pcs | | | | |

SOLDERABILITY

| parameter | conditions/description | min | typ | max | units |
|----------------|------------------------|-----|-----|-----|-------|
| hand soldering | for maximum 3 seconds | 360 | 380 | 400 | °C |

PART NUMBER KEY

CDM1221 - XX A - MW- F9 - 050 - 67

Base Number

No. of Poles (A-Coding):

03 = 3

04 = 4

05 = 5

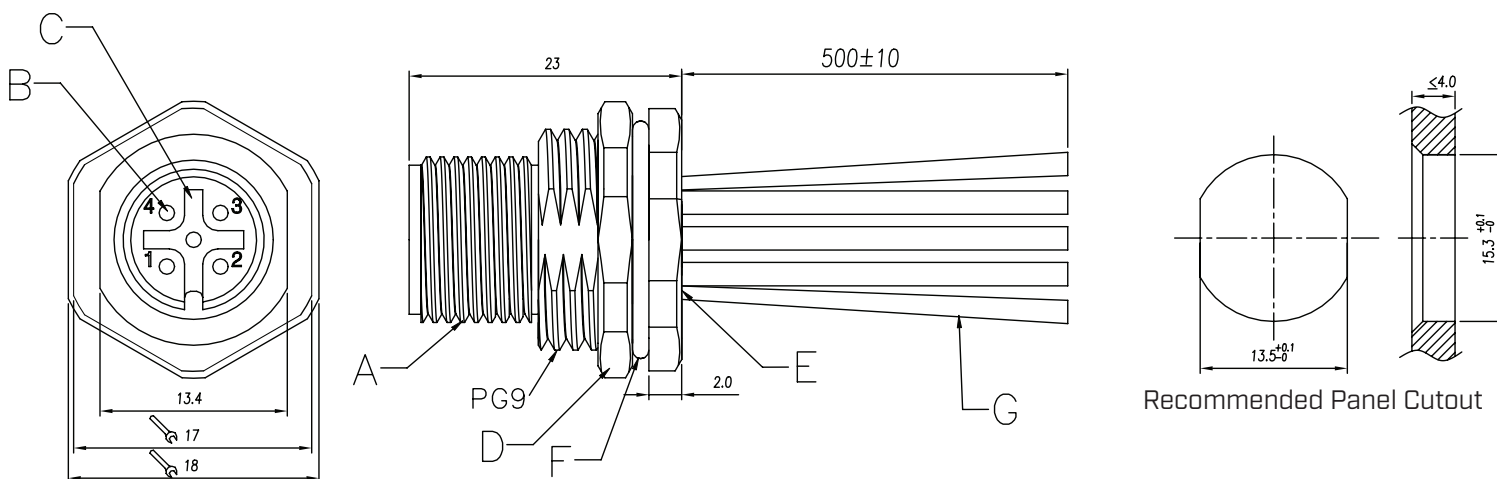
08 = 8

12 = 12

MECHANICAL DRAWING

units: mm
 tolerance:
 0.5<X≤6.0: ±0.1 mm
 6.0<X≤30.0: ±0.2 mm
 unless otherwise noted

| ITEM | DESCRIPTION | MATERIAL | PLATING/COLOR |
|------|-----------------|------------------|---------------|
| A | M12x1.0 screw | brass | nickel |
| B | terminals; male | brass | gold |
| C | housing; male | PA66 (UL94V-0) | black |
| D | PG9 nut | brass | nickel |
| E | resin | epoxy resin | black |
| F | o-ring | FKM | black |
| G | wire | UL 1061 L=508 mm | |



| No. of Poles | 3 | 4 | 5 | 8 | 12 |
|--------------|--------|--------|--------|--------|-----------|
| A-Coding | | | | | |
| Wire Size | 22 AWG | 22 AWG | 22 AWG | 24 AWG | 26 AWG |
| Pin # | | | | | |
| 1 | brown | brown | brown | white | brown |
| 2 | --- | white | white | brown | blue |
| 3 | blue | blue | blue | green | white |
| 4 | black | black | black | yellow | green |
| 5 | --- | --- | gray | gray | pink |
| 6 | --- | --- | --- | pink | yellow |
| 7 | --- | --- | --- | blue | black |
| 8 | --- | --- | --- | red | gray |
| 9 | --- | --- | --- | --- | red |
| 10 | --- | --- | --- | --- | violet |
| 11 | --- | --- | --- | --- | gray/pink |
| 12 | --- | --- | --- | --- | red/blue |

REVISION HISTORY

| rev. | description | date |
|------|------------------------------|------------|
| 1.0 | initial release | 12/13/2021 |
| 1.01 | logo, datasheet style update | 08/05/2022 |

The revision history provided is for informational purposes only and is believed to be accurate.



CUI Devices offers a one (1) year limited warranty. Complete warranty information is listed on our website.

CUI Devices reserves the right to make changes to the product at any time without notice. Information provided by CUI Devices is believed to be accurate and reliable. However, no responsibility is assumed by CUI Devices for its use, nor for any infringements of patents or other rights of third parties which may result from its use.

CUI Devices products are not authorized or warranted for use as critical components in equipment that requires an extremely high level of reliability. A critical component is any component of a life support device or system whose failure to perform can be reasonably expected to cause the failure of the life support device or system, or to affect its safety or effectiveness.

cuidevices.com