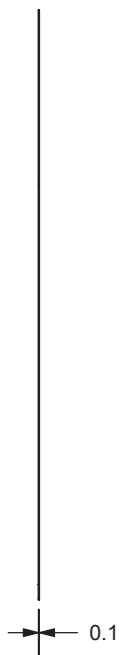
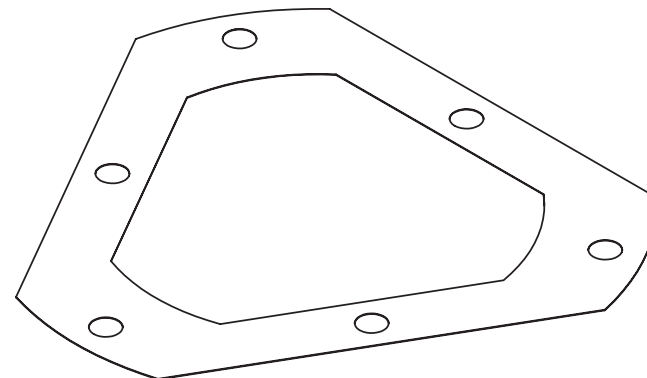
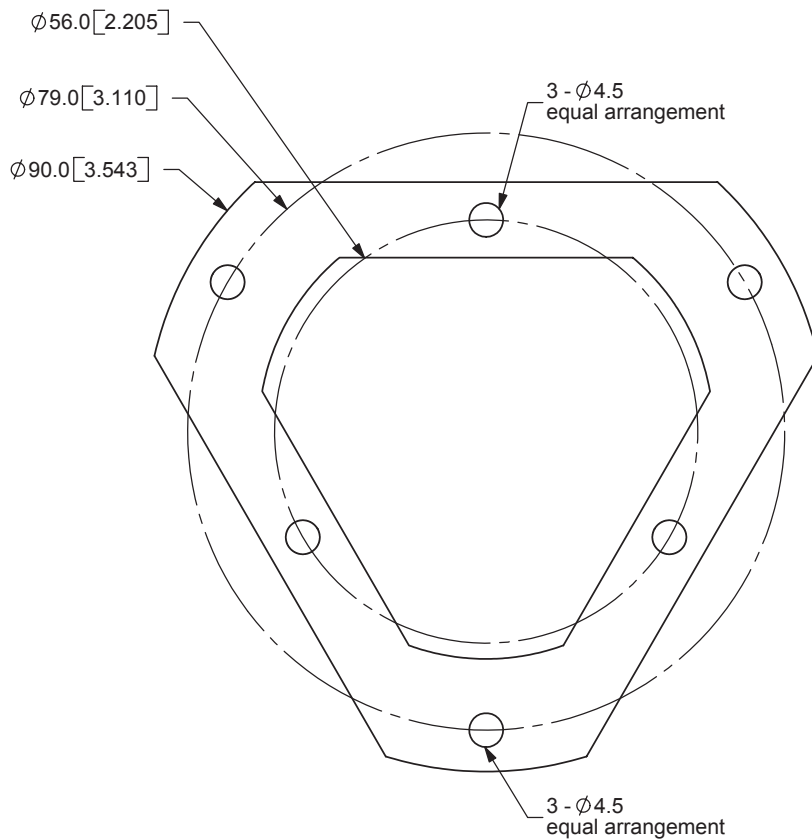


REV.	DESCRIPTION	DATE
A	NEW DRAWING	7/11/2008



TOLERANCE:
 $\pm 0.3\text{mm}$ UNLESS OTHERWISE
 SPECIFIED



20050 SW 112th Ave.
 Tualatin, OR 97062
 Phone: 503-612-2300
 800-275-4899
 Fax: 503-612-2383
 Website: www.cui.com

TITLE: spring flange		REV: A
PART NO. MEH50 spring flange	UNITS: MM [INCHES]	
DRAWN BY: JMS	APPROVED BY:	SCALE: 1:1

PC FILE NAME:
 MEH50 spring flange

COPYRIGHT 2008 BY CUI INC.