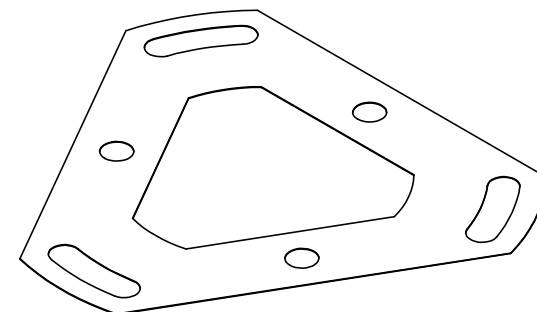
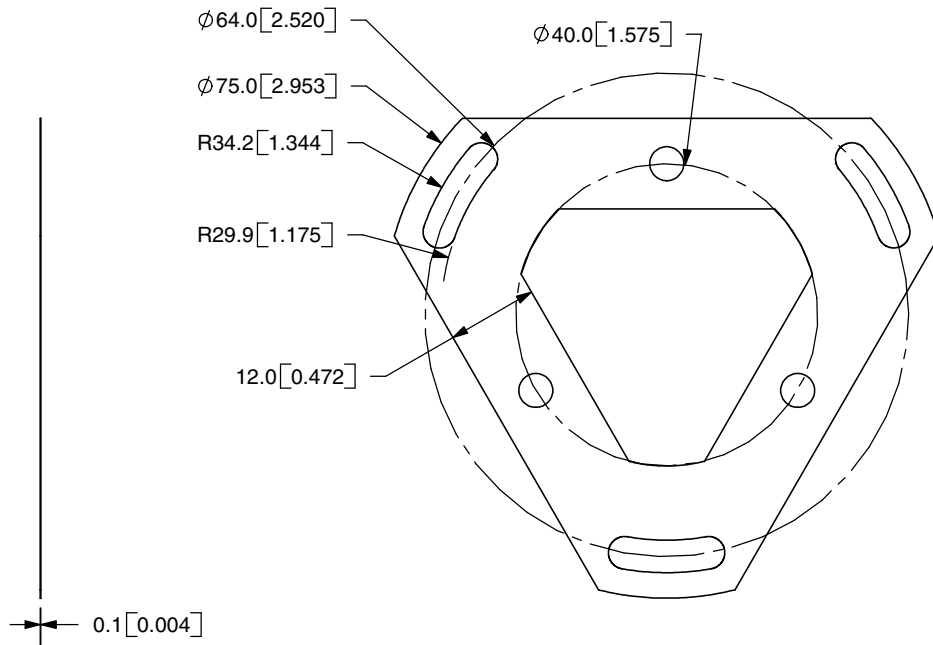


REV.	DESCRIPTION	DATE
A	NEW DRAWING	9/6/2006



TOLERANCE:  
 $\pm 0.3\text{mm}$  UNLESS OTHERWISE  
 SPECIFIED



**CUI INC**

20050 SW 112th Ave.  
 Tualatin, OR 97062  
 Phone: 503-612-2300  
 800-275-4899  
 Fax: 503-612-2383  
 Website: www.cui.com

TITLE: spring flange		REV: A
PART NO. MAH42 Spring Flange	UNITS: MM [INCHES]	
DRAWN BY: JMS	APPROVED BY:	SCALE: 1:2

PC FILE NAME:  
 MAH42 spring flange

COPYRIGHT 2007 BY CUI INC.