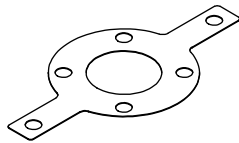
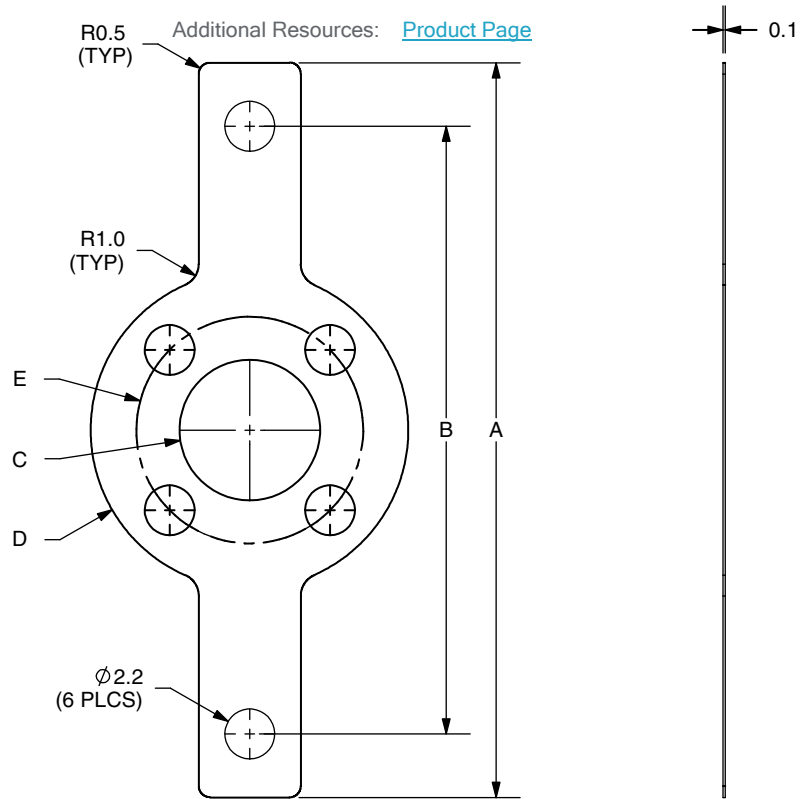


REV.	DESCRIPTION	DATE
A	NEW DRAWING	1/08/2008



SCALE 1:1

	M1217
A	39.4
B	33.8
C	10
D	20
E	16



20050 SW 112th Ave.
Tualatin, OR 97062
Phone: 503-612-2300
800-275-4899
Fax: 503-612-2383
Website: www.cui.com

TITLE: mounting flange		REV: A
PART NO. M1217	UNITS: MM	
DRAWN BY: JRH	APPROVED BY:	SCALE:

