

**MODEL:** GF1202B | **DESCRIPTION:** SPEAKER**FEATURES**

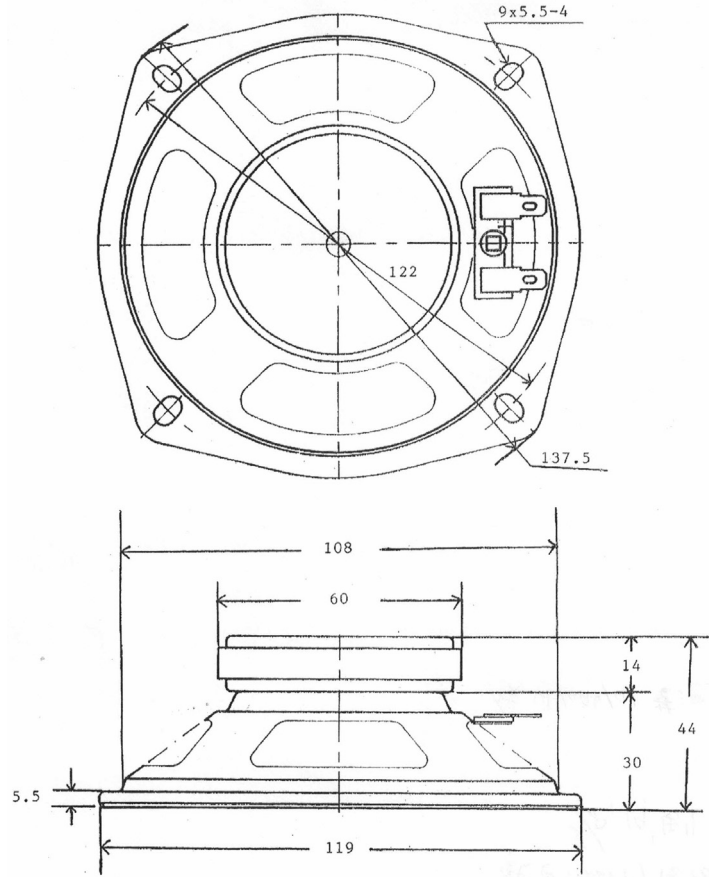
- 119 mm square frame
- 8  $\Omega$  impedance
- 20 W
- ferrite magnet
- paper cone

**SPECIFICATIONS**

parameter	conditions/description	min	typ	max	units
input power			20	30	W
impedance		6.8	8	9.2	$\Omega$
resonant frequency (Fo)		120	150	180	Hz
frequency response		Fo		12,000	Hz
sound pressure level	at 1.0 W, 50 cm, avg at 300, 400, 500, 600 Hz	90	93	96	dB
distortion	at 1.0 kHz, 1.0 W			10	%
buzz, rattle, etc.	must be normal at sine wave			10	V
dimensions	119 x 119 x 44				mm
magnet	ferrite				
cone material	paper				
terminal	solder eyelets				
weight			277		g
operating temperature		-25		60	$^{\circ}\text{C}$
RoHS	yes				

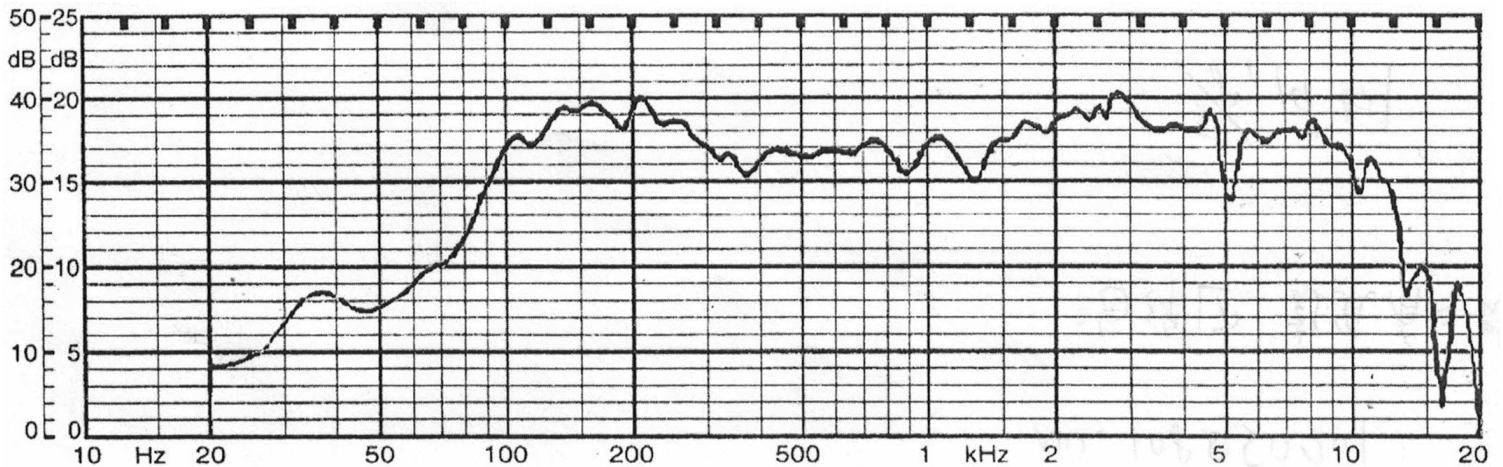
## MECHANICAL DRAWING

units: mm  
tolerance: ±0.8 mm



## FREQUENCY RESPONSE CURVE

parameter	conditions/description
potentiometer range	50 dB
rectifier	RMS
lower limit frequency	20 Hz
zero level	60 dB



## REVISION HISTORY

---

rev.	description	date
1.0	initial release	01/20/2003
1.01	brand update	03/11/2021

The revision history provided is for informational purposes only and is believed to be accurate.

---

# CUI DEVICES

CUI Devices offers a one (1) year limited warranty. Complete warranty information is listed on our website.

CUI Devices reserves the right to make changes to the product at any time without notice. Information provided by CUI Devices is believed to be accurate and reliable. However, no responsibility is assumed by CUI Devices for its use, nor for any infringements of patents or other rights of third parties which may result from its use.

CUI Devices products are not authorized or warranted for use as critical components in equipment that requires an extremely high level of reliability. A critical component is any component of a life support device or system whose failure to perform can be reasonably expected to cause the failure of the life support device or system, or to affect its safety or effectiveness.