



## Product Change Notice (PCN)

**Date:** May 10, 2024

**PCN Number:** PCN-0410772RR-01

To Our Customers:

We appreciate your use of our products. Our commitment in maintaining and improving processes is demonstrated by plans to enhance our product quality, reliability, and manufacturability. The purpose of this notice is to inform you of a product change.

Product(s) Affected:

CFM-A751BF-135-533
CFM-A751BF-125-460
CFM-A751BF-135-533-20
CFM-A751BF-125-460-20
CFM-A751BF-253-623
CFM-A751BF-245-588
CFM-A751BF-235-533
CFM-A751BF-225-460
CFM-A751BF-253-623-20
CFM-A751BF-245-588-20
CFM-A751BF-235-533-20
CFM-A751BF-225-460-20
CFM-A751BF-125-460-22
CFM-A751BF-135-533-22
CFM-A751BF-225-460-22
CFM-A751BF-235-533-22
CFM-A751BF-245-588-22
CFM-A751BF-253-623-22

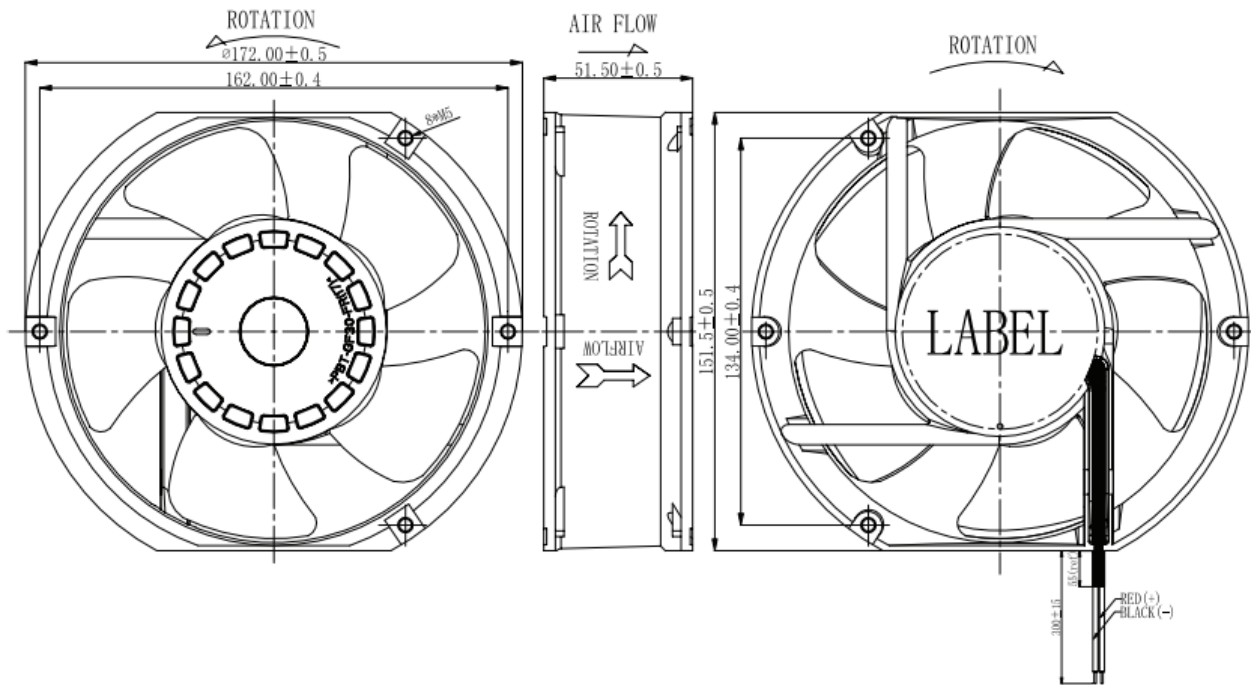
Reason(s) for Change: *Manufacturing process improvements*

Description of Change: *Housing dimensions changing to below shown images:*

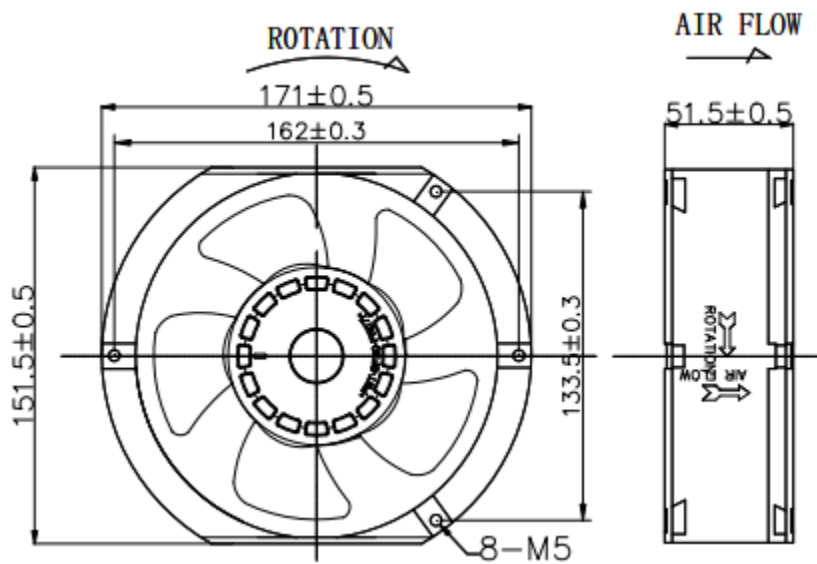
### **Old Design**

F-723-001

Revision: A



**New Design**



Affected Date Code: *May 3<sup>rd</sup>, 2024*

Product Availability: *Currently Available*

Additional Information: *None*

F-723-001

Revision: A



PCN Approval:

Operations/Quality

*Rae Garcia*

---

Product Management

*RH*

---