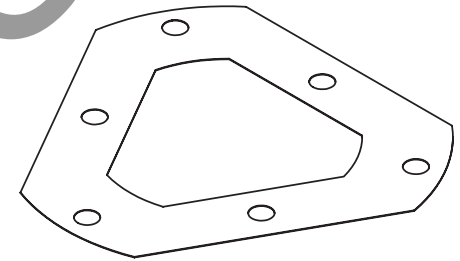
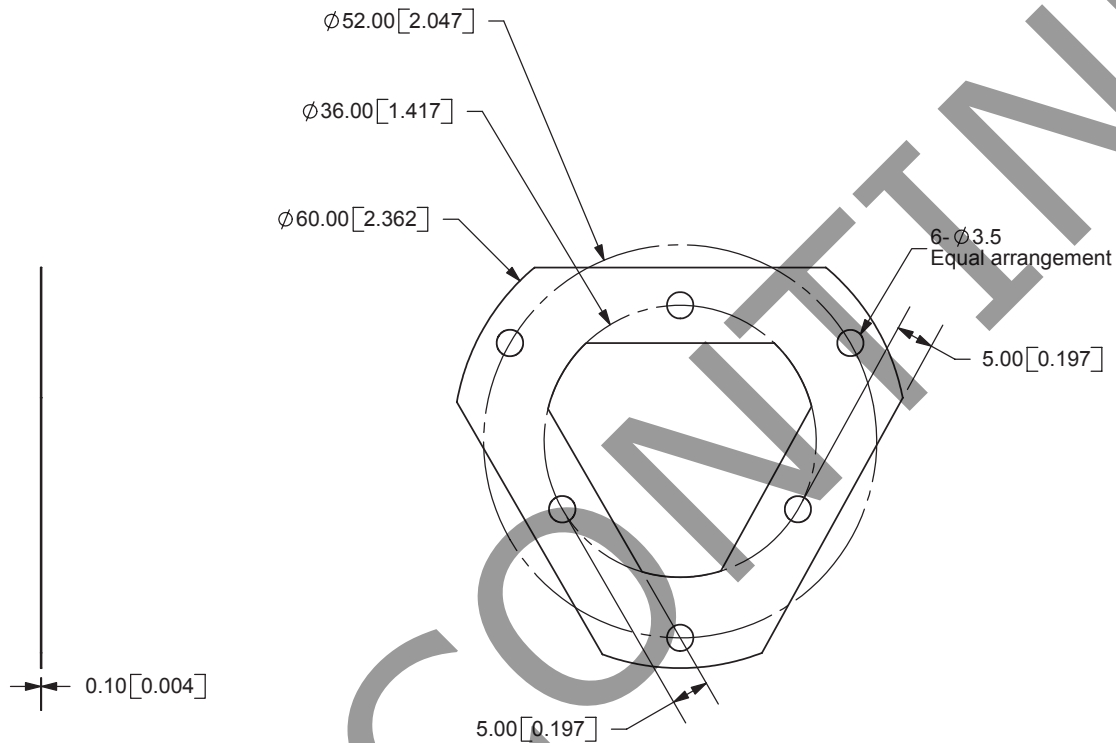


REV.	DESCRIPTION	DATE
A	NEW DRAWING	7/08/2008



TOLERANCE:  
 $\pm 0.3\text{mm}$  UNLESS OTHERWISE  
 SPECIFIED



**CUI INC**

20050 SW 112th Ave.  
 Tualatin, OR 97062  
 Phone: 503-612-2300  
 800-275-4899  
 Fax: 503-612-2383  
 Website: www.cui.com

TITLE: spring flange		REV: A
PART NO. MEH30 spring flange	UNITS: MM [INCHES]	
DRAWN BY: ZRJ	APPROVED BY:	SCALE: 1:1

PC FILE NAME:  
 MEH30 spring flange

COPYRIGHT 2008 BY CUI INC.